

HIFOUNE


HIFOUNE



ELECTRIC COUNTERBALANCE FORKLIFT TRUCK

FB 15/20/25/30

FB 35/40/45/50

 **6000mm**
Max. lifting height

FB series is a type of front-drive 4 wheels counterbalanced forklift with capacities of 1500 to 5000kg, horizontally-mounted design. It adopts a large-speed ratio drive axle box assembly, higher work efficiency. The optimized vehicle body structure is welded with high-quality steel plates, with a large arc streamlined appearance, advanced baking paint technology, mature and reliable accessories, which improve the cost-effectiveness of the whole vehicle and meet the needs of customers in various working conditions.



AC Drive

Equipped with AC drive motor, reasonable use of the regenerative braking function of AC drive motor to improve safety. At the same time, it can be reverse charged and maintenance-free

Adapt to various attachments which can meet the needs of various industries

 Environmental protection/Low noise/Cost saving

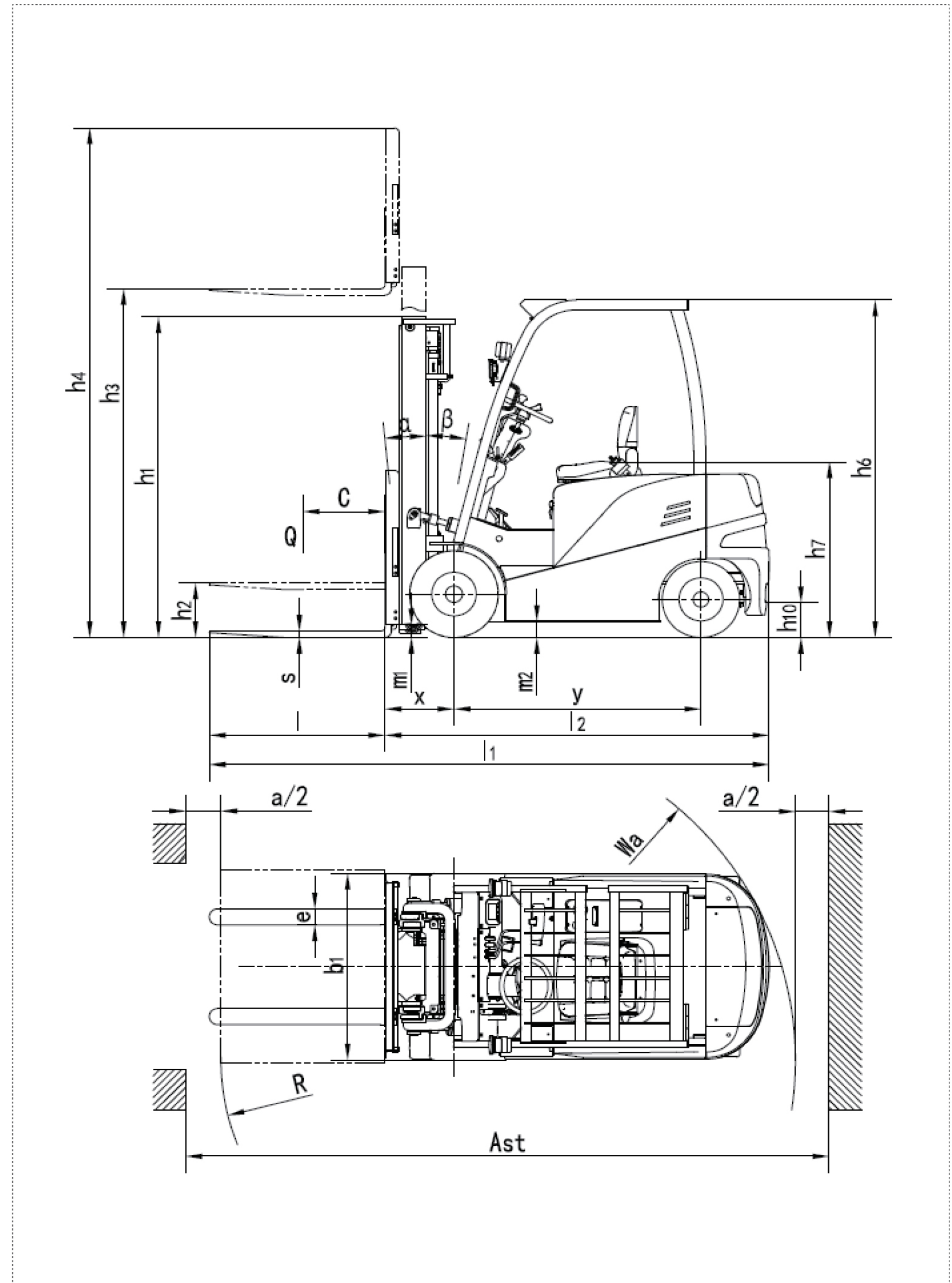
HIFOUNE Electric forklift(2000kg)	Diesel forklift (2000kg)
Charging 1 hour consumes about 3.5 KW · h, fully charged consumes about 32 KW · h	In general, the fuel consumption is 5L per hour
The cost of one hour's work is about 0.8 US dollars	The cost of one hour's work is about 5.0 US dollars
The full charged battery can work about 8 hours. The cost is about 6.4 US dollars	The cost of working 8 hours is about 40 US dollars
The working time is about 1000 hours for one year and the cost is about 800 US dollars.	If the diesel forklift working 1000 hours for one year, the cost is about 5000 USdollars.

Saving 4200 US dollars per year



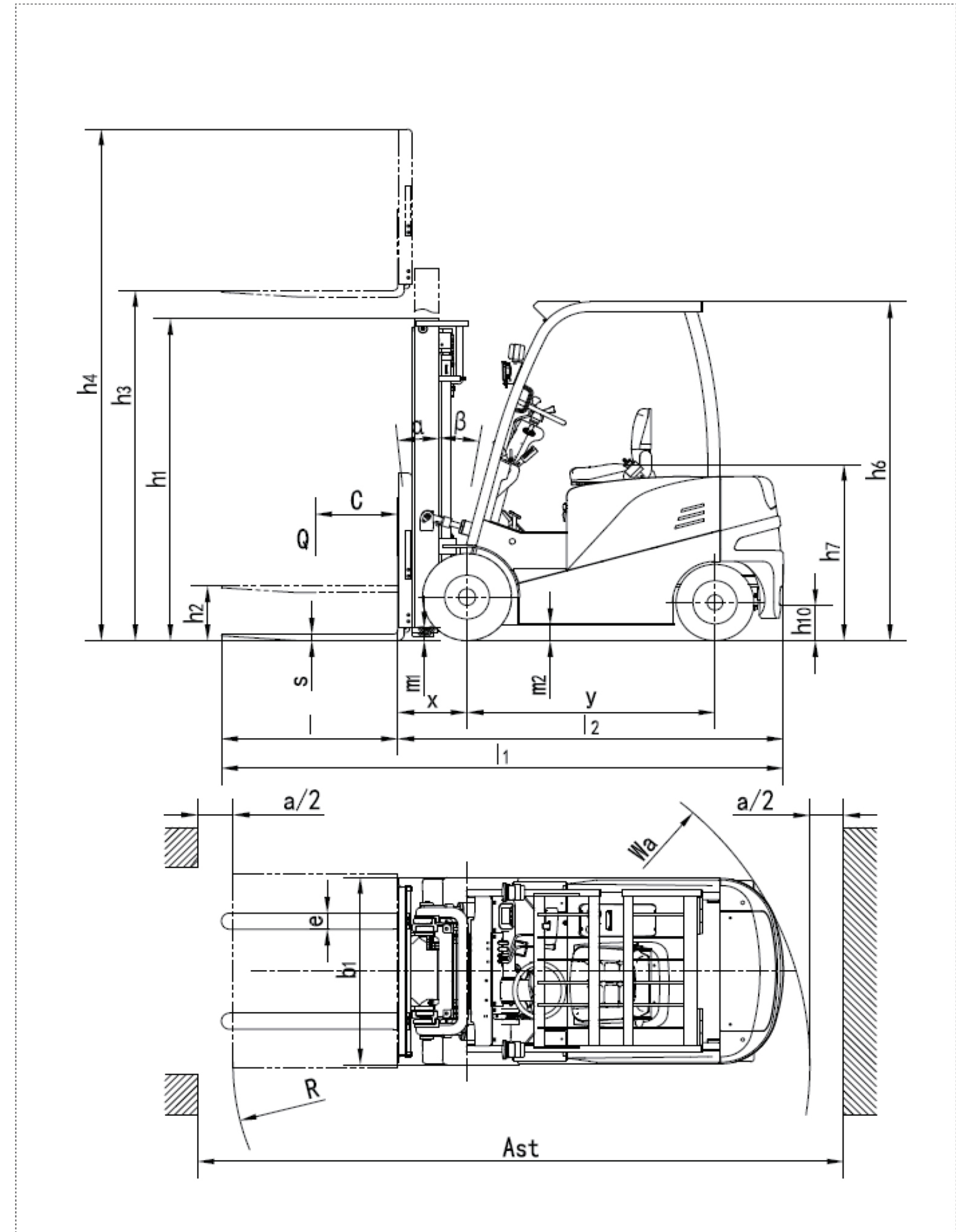
Standard						
1.1	Brand	HIFOUNE	HIFOUNE	HIFOUNE	HIFOUNE	
1.2	Model	FB15	FB20	FB25	FB25	
1.3	Power type	Battery	Battery	Battery	Battery	
1.4	Operation type	Seated	Seated	Seated	Seated	
1.5	Rated capacity	Q(kg)	1500	2000	2500	2500
1.6	Load center	C(mm)	500	500	500	500
1.7	Front overhang	x(mm)	380	420	425	425
1.8	Wheelbase	y(mm)	1380	1505	1505	1700
Weight						
2.1	Service weight(incl. battery)	kg	2900	3380	3820	3600
Wheel						
3.1	Wheel type	Pneumatic tyre	Pneumatic tyre	Pneumatic tyre	Pneumatic tyre	
3.2	Load wheel	mm	130-205	460×180-205	460×180-205	460×180-205
3.3	Drive wheel	mm	160-230	540×205-230	540×205-230	540×205-230
3.4	Number of wheels, front/rear(x=drive wheel)		2x/2	2x/2	2x/2	2x/2
3.5	Wheel tread, drive side	b10(mm)	910	950	950	950
3.6	Wheel tread, load side	b11(mm)	930	960	960	960
Size						
4.1	Mast tilting	$\alpha / \beta (^{\circ})$	6/10	6/10	6/10	6/10
4.2	Mast closed height	h1(mm)	1995	1995	1995	1995
4.3	Free lift height	h2(mm)	135	140	145	145
4.4	Lift height	h3(mm)	3000	3000	3000	3000
4.5	Mast extended height with load-backrest	h4(mm)	4030	4030	4030	4030
4.6	Overhead guard height	h6(mm)	2100	2100	2100	2130
4.7	Seat height	h7(mm)	1090	1090	1090	1120
4.8	Overall length	L1(mm)	3205	3410	3415	3615
4.9	Length to fork face	L2(mm)	2135	2340	2345	2545
4.10	Overall width	b1(mm)	1110	1160	1160	1200
4.11	Fork size	l/e/s(mm)	1070/100/35	1070/122/40	1070/122/40	1070/122/40
4.12	Installation level		2A	2A	2A	2A
4.13	Fork carriage width	b3(mm)	1040	1040	1040	1040
4.14	Fork outside width	b5(mm)	222~1000	222~1000	222~1000	222~1000
4.15	Mast ground clearance	m1(mm)	85	85	85	85
4.16	Body ground clearance	m2(mm)	100	100	100	100
4.17	Aisle width for pallet 1000*1200mm	Ast(mm)	3580	3720	3720	3920
4.18	Turning radius	Wa(mm)	2000	2100	2100	2300
Function						
5.1	Driving speed(load/unload)	km/h	10/12	10/12	10/12	10/12
5.2	Lifting speed(load/unload)	mm/s	300/480	230/400	230/400	230/400
5.3	Lowering speed(load/unload)	mm/s	380/360	420/480	390/480	390/480
5.4	Max. gradeability(load/unload)(S2-5min)	%(tan θ)	14/15	14/15	14/15	14/15
5.5	Brake type		Hydraulic	Hydraulic	Hydraulic	Hydraulic
Drive						
6.1	Driving motor(S2-5min)	kw	AC6.8	AC6.8	AC6.8	AC6.8
6.2	Lifting motor(S3-15%)	kw	DC8.2	DC8.6	DC8.6	DC8.6
6.3	Battery voltage/capacity	V/Ah	48/400	48/490	48/560	48/560
6.4	Battery weight	kg	645	750	870	885
6.5	Steering system		Hydraulic	Hydraulic	Hydraulic	Hydraulic
Other						
7.1	Lithium battery voltage/capacity	V/Ah	48V/250	48/300	48/350	48/450
7.2	AC lifting motor(S3-15%)	kw	AC10	AC10	AC12	AC12

The standard model data will vary according to the configuration.

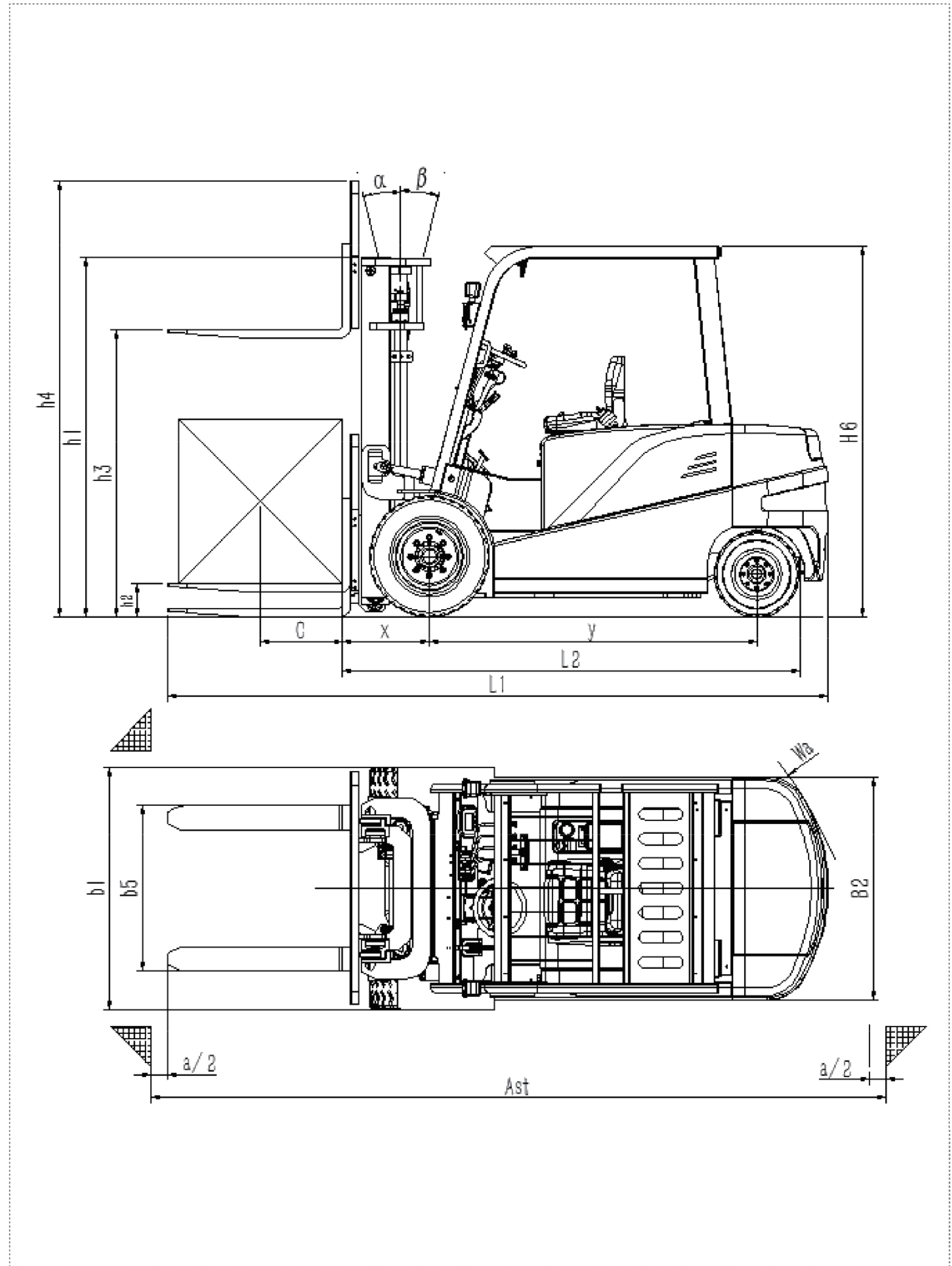


Standard					
1.1	Brand	HIFOUNE	HIFOUNE	HIFOUNE	
1.2	Model	FB30	FB35	FB40	
1.3	Power type	Battery	Battery	Battery	
1.4	Operation type	Seated	Seated	Seated	
1.5	Rated capacity	Q(kg)	3000	3500	4000
1.6	Load center	C(mm)	500	500	500
1.7	Front overhang	x(mm)	433	484	484
1.8	Wheelbase	y(mm)	1700	1800	1800
Weight					
2.1	Service weight(incl. battery)	kg	4460	4870	5300
Wheel					
3.1	Wheel type	Pneumatic tyre	Solid tyre	Solid tyre	
3.2	Load wheel	mm	460×180-205	460×180-205	460×180-205
3.3	Drive wheel	mm	590×230-260	590×260-305	590×260-305
3.4	Number of wheels, front/rear(x=drive wheel)		2x/2	2x/2	2x/2
3.5	Wheel tread, drive side	b10(mm)	970	1080	1080
3.6	Wheel tread, load side	b11(mm)	960	990	990
Size					
4.1	Mast tilting	$\alpha / \beta (^{\circ})$	6/10	6/10	6/10
4.2	Mast closed height	h1(mm)	2110	2110	2110
4.3	Free lift height	h2(mm)	145	150	150
4.4	Lift height	h3(mm)	3000	3000	3000
4.5	Mast extended height with load-backrest	h4(mm)	4256	4256	4256
4.6	Overhead guard height	h6(mm)	2130	2130	2130
4.7	Seat height	h7(mm)	1120	1120	1120
4.8	Overall length	L1(mm)	3620	3770	3770
4.9	Length to fork face	L2(mm)	2550	2700	2700
4.10	Overall width	b1(mm)	1200	1330	1330
4.11	Fork size	l/e/s(mm)	1070/125/45	1070/125/50	1070/125/50
4.12	Installation level		3A	3A	3A
4.13	Fork carriage width	b3(mm)	1100	1100	1100
4.14	Fork outside width	b5(mm)	250~1050	250~1050	250~1050
4.15	Mast ground clearance	m1(mm)	90	90	90
4.16	Body ground clearance	m2(mm)	100	100	100
4.17	Aisle width for pallet 1000*1200mm	Ast(mm)	3920	4190	4190
4.18	Turning radius	Wa(mm)	2300	2450	2450
Function					
5.1	Driving speed(load/unload)	km/h	10/12	10/12	10/12
5.2	Lifting speed(load/unload)	mm/s	200/340	200/300	200/300
5.3	Lowering speed(load/unload)	mm/s	300/460	300/460	300/460
5.4	Max. gradeability(load/unload)(S2-5min)	%($\tan \theta$)	14/15	14/15	14/15
5.5	Brake type		Hydraulic	Hydraulic	Hydraulic
Drive					
6.1	Driving motor(S2-60min)	kw	AC11.75	AC14	AC14
6.2	Lifting motor(S3-15%)	kw	DC10	DC10	DC10
6.3	Battery voltage/capacity	V/Ah	80/400	80/400	80/450
6.4	Battery weight	kg	1070	1000	1195
6.5	Steering system		Hydraulic	Hydraulic	Hydraulic
Other					
7.1	Lithium battery voltage/capacity	V/Ah	80/270	80/270	80/270
7.2	AC lifting motor(S3-15%)	kw	AC13.5	AC13.5	AC13.5

The standard model data will vary according to the configuration.



Standard				
1.1	Brand	HIFOUNE	HIFOUNE	
1.2	Model	FB45	FB50	
1.3	Power type	Battery	Battery	
1.4	Operation type	Seated	Seated	
1.5	Rated capacity	Q(kg)	4500	4999
1.6	Load center	C(mm)	500	500
1.7	Front overhang	x(mm)	530	530
1.8	Wheelbase	y(mm)	2000	2000
Weight				
2.1	Service weight(incl. battery)	kg	6800	7100
Wheel				
3.1	Wheel type	Solid tyre	Solid tyre	
3.2	Load wheel	mm	540×205-230	540×205-230
3.3	Drive wheel	mm	250-381	250-381
3.4	Number of wheels, front/rear(x=drive wheel)		2x/2	2x/2
3.5	Wheel tread, drive side	b10(mm)	1225	1225
3.6	Wheel tread, load side	b11(mm)	1025	1025
Size				
4.1	Mast tilting	α / β (°)	6/11	6/11
4.2	Mast closed height	h1(mm)	2180	2180
4.3	Free lift height	h2(mm)	150	150
4.4	Lift height	h3(mm)	3000	3000
4.5	Mast extended height with load-backrest	h4(mm)	4040	4040
4.6	Overhead guard height	h6(mm)	2250	2250
4.7	Seat height	h7(mm)	1230	1230
4.8	Overall length	L1(mm)	4060	4060
4.9	Length to fork face	L2(mm)	2990	2990
4.10	Overall width	b1/b2(mm)	1470 /1350	1470 /1350
4.11	Fork size	l/e/s(mm)	1070 /150 /50	1070 /150 /50
4.12	Installation level		3A	3A
4.13	Fork carriage width	b3(mm)	1380	1380
4.14	Fork outside width	b5(mm)	320 ~ 1320	320 ~ 1320
4.15	Mast ground clearance	m1(mm)	120	120
4.16	Body ground clearance	m2(mm)	120	120
4.17	Aisle width for pallet 1000*1200mm	Ast (mm)	4490	4490
4.18	Aisle width for pallet 800*1200mm	Ast (mm)	4690	4690
4.19	Turning radius	Wa (mm)	2690	2690
Function				
5.1	Driving speed(load/unload)	km /h	12 /13	12 /13
5.2	Lifting speed(load/unload)	mm /s	200 /220	200 /220
5.3	Lowering speed(load/unload)	mm /s	270 /290	270 /290
5.4	Traction capacity(load/unload)(S2-5min)	N	15400	15680
5.5	Max. gradeability(load/unload)(S2-5min)	%(tan θ)	15 /15	15 /15
5.6	Brake type		Hydraulic	Hydraulic
Drive				
6.1	Driving motor(S2-60min)	kw	AC 16.6	AC 16.6
6.2	Lifting motor(S3-15%)	kw	AC 15	AC 15
6.3	Battery voltage/capacity	V/Ah	80 /560	80 /630
6.4	Battery weight	kg	1390	1690
6.5	Steering system		Hydraulic	Hydraulic
Other				
7.1	Lithium battery voltage/capacity	V/Ah	80 /450	80 /525



The standard model data will vary according to the configuration.

Duplex mast									
Model	FB	15-25	15-27	15-30	15-33	15-35	15-37	15-40	15-45
Lift height	h3(mm)	2500	2700	3000	3300	3500	3700	4000	4500
Mast extended height with load-backrest	h4(mm)	3530	3730	4030	4330	4530	4730	5030	5530
Mast closed height	h1(mm)	1745	1845	1995	2145	2245	2345	2545	2795
Free lift height	h2(mm)	135	135	135	135	135	135	135	135

Duplex full free mast									
Model	FB	15-25	15-27	15-30	15-33	15-35	15-37	15-40	15-45
Lift height	h3(mm)	2500	2700	3000	3300	3500	3700	4000	4500
Mast extended height with load-backrest	h4(mm)	3540	3740	4040	4340	4540	4740	5040	5540
Mast closed height	h1(mm)	1745	1845	1995	2145	2245	2345	2545	2795
Free lift height	h2(mm)	702	802	952	1102	1202	1302	1502	1752

Triplex full free mast									
Model	FB	15-36	15-40	15-45	15-48	15-50	15-55	15-60	
Lift height	h3(mm)	3600	4000	4500	4800	5000	5500	6000	
Mast extended height with load-backrest	h4(mm)	4630	5030	5530	5830	6030	6530	7030	
Mast closed height	h1(mm)	1795	1928	2095	2195	2262	2428	2595	
Free lift height	h2(mm)	755	888	1055	1155	1222	1388	1555	

Duplex mast									
Model	FB	20-25	20-27	20-30	20-33	20-35	20-37	20-40	20-45
Lift height	h3(mm)	2500	2700	3000	3300	3500	3700	4000	4500
Mast extended height with load-backrest	h4(mm)	3530	3730	4030	4330	4530	4730	5030	5530
Mast closed height	h1(mm)	1745	1845	1995	2145	2245	2345	2545	2795
Free lift height	h2(mm)	140	140	140	140	140	140	140	140

Duplex full free mast									
Model	FB	20-25	20-27	20-30	20-33	20-35	20-37	20-40	20-45
Lift height	h3(mm)	2500	2700	3000	3300	3500	3700	4000	4500
Mast extended height with load-backrest	h4(mm)	3580	3780	4080	4380	4580	4780	5080	5580
Mast closed height	h1(mm)	1745	1845	1995	2145	2245	2345	2545	2795
Free lift height	h2(mm)	702	802	952	1102	1202	1302	1502	1752

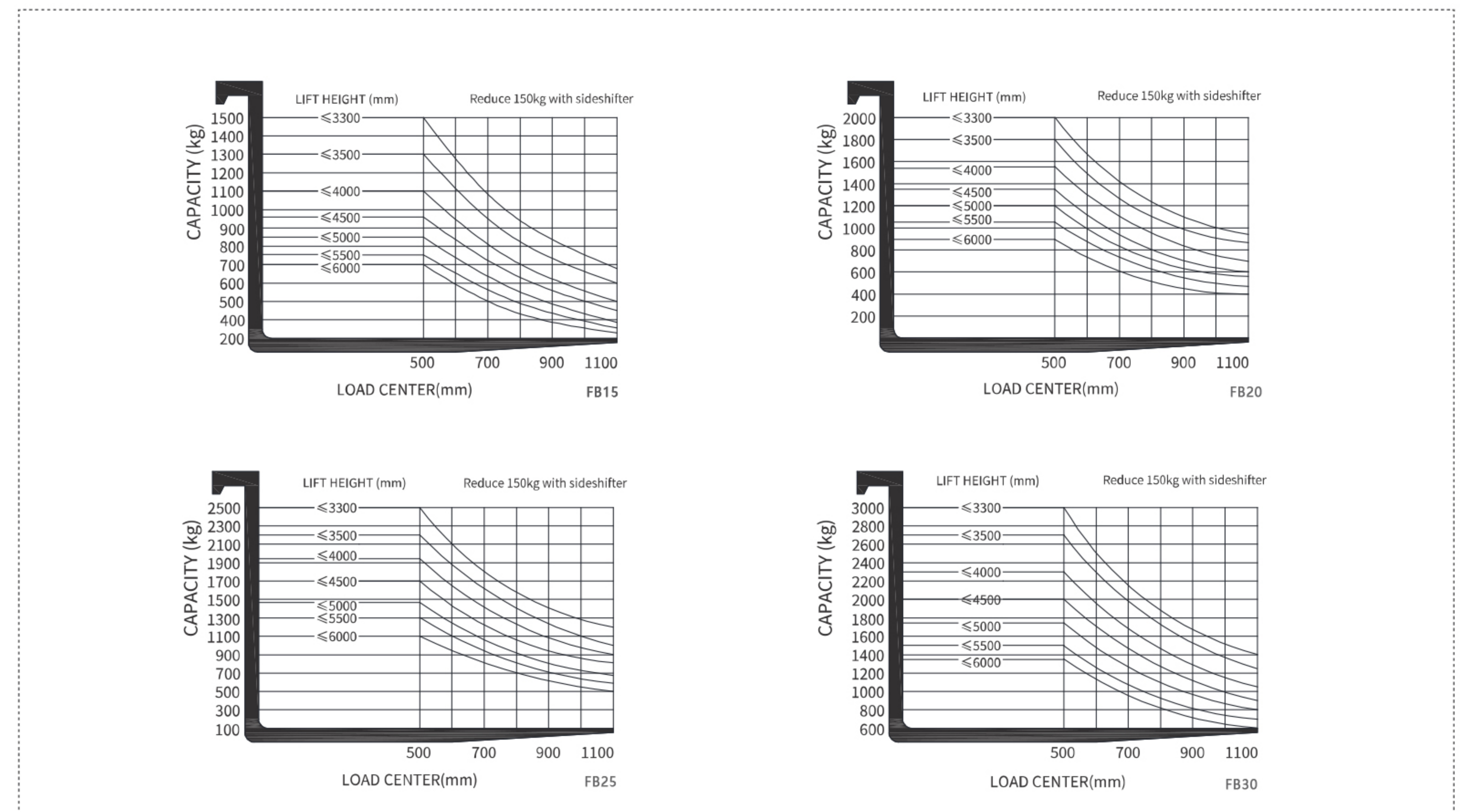
Triplex full free mast									
Model	FB	20-36	20-40	20-45	20-48	20-50	20-55	20-60	
Lift height	h3(mm)	3600	4000	4500	4800	5000	5500	6000	
Mast extended height with load-backrest	h4(mm)	4635	5035	5535	5835	6035	6535	7035	
Mast closed height	h1(mm)	1795	1930	2095	2195	2260	2425	2595	
Free lift height	h2(mm)	752	887	1052	1152	1217	1382	1552	

FB20 is the same as FB25.

Duplex mast									
Model	FB	30-25	30-27	30-30	30-33	30-35	30-37	30-40	30-45
Lift height	h3(mm)	2500	2700	3000	3300	3500	3700	4000	4500
Mast extended height with load-backrest	h4(mm)	3760	3960	4260	4560	4760	4960	5260	5760
Mast closed height	h1(mm)	1860	1960	2110	2260	2360	2460	2660	2910
Free lift height	h2(mm)	145	145	145	145	145	145	145	145

Duplex full free mast									
Model	FB	30-25	30-27	30-30	30-33	30-35	30-37	30-40	30-45
Lift height	h3(mm)	2500	2700	3000	3300	3500	3700	4000	4500
Mast extended height with load-backrest	h4(mm)	3770	3970	4270	4570	4770	4970	5270	5770
Mast closed height	h1(mm)	1850	1950	2100	2250	2350	2450	2650	2900
Free lift height	h2(mm)	716	816	966	1116	1216	1316	1516	1766

Triplex full free mast									
Model	FB	30-36	30-40	30-45	30-48	30-50	30-55	30-60	
Lift height	h3(mm)	3600	4000	4500	4800	5000	5500	6000	
Mast extended height with load-backrest	h4(mm)	4730	5130	5630	5930	6130	6630	7130	
Mast closed height	h1(mm)	1850	1985	2150	2250	2315	2480	2650	
Free lift height	h2(mm)	696	831	996	1096	1161	1326	1496	



Duplex mast									
Model	FB	35-25	35-27	35-30	35-33	35-35	35-37	35-40	35-45
Lift height	h3(mm)	2500	2700	3000	3300	3500	3700	4000	4500
Mast extended height with load-backrest	h4(mm)	3630	3830	4130	4430	4630	4830	5130	5630
Mast closed height	h1(mm)	1850	1950	2100	2250	2350	2450	2650	2900
Free lift height	h2(mm)	150	150	150	150	150	150	150	150

Duplex full free mast									
Model	FB	35-25	35-27	35-30	35-33	35-35	35-37	35-40	35-45
Lift height	h3(mm)	2500	2700	3000	3300	3500	3700	4000	4500
Mast extended height with load-backrest	h4(mm)	3635	3835	4135	4435	4635	4835	5135	5635
Mast closed height	h1(mm)	1850	1950	2100	2250	2350	2450	2650	2900
Free lift height	h2(mm)	716	816	966	1116	1216	1316	1516	1766

Triplex full free mast									
Model	FB	35-36	35-40	35-45	35-48	35-50	35-55	35-60	
Lift height	h3(mm)	3600	4000	4500	4800	5000	5500	6000	
Mast extended height with load-backrest	h4(mm)	4730	5130	5630	5930	6130	6630	7130	
Mast closed height	h1(mm)	1850	1983	2150	2250	2317	2483	2650	
Free lift height	h2(mm)	696	829	996	1096	1163	1329	1496	

Duplex mast									
Model	FB	50-25	50-27	50-30	50-33	50-35	50-37.5	50-40	50-45
Lift height	h3(mm)	2500	2700	3000	3300	3500	3750	4000	4500
Mast extended height with load-backrest	h4(mm)	3765	3965	4265	4565	4765	5015	5265	5765
Mast closed height	h1(mm)	1930	2030	2180	2330	2430	2555	2730	2980
Free lift height	h2(mm)	150	150	150	150	150	150	150	150

Duplex full free mast									
Model	FB	50-25	50-27	50-30	50-33	50-35	50-37.5	50-40	50-45
Lift height	h3(mm)	2500	2700	3000	3300	3500	3750	4000	4500
Mast extended height with load-backrest	h4(mm)	3775	3975	4275	4575	4775	5030	5275	5775
Mast closed height	h1(mm)	1930	2030	2180	2330	2430	2555	2730	2980
Free lift height	h2(mm)	655	755	905	1055	1155	1280	1455	1705

Triplex full free mast									
Model	FB	50-40	50-42	50-43.5	50-45	50-48	50-50	50-55	50-60
Lift height	h3(mm)	4000	4200	4350	4500	4800	5000	5500	6000
Mast extended height with load-backrest	h4(mm)	5090	5515	5665	5815	6115	6325	6825	7315
Mast closed height	h1(mm)	2095	2160	2210	2260	2360	2430	2645	2810
Free lift height	h2(mm)	820	885	935	985	1085	1155	1370	1535

FB40 is the same as FB35, FB45 is the same as FB50.

